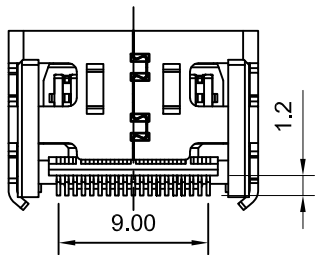
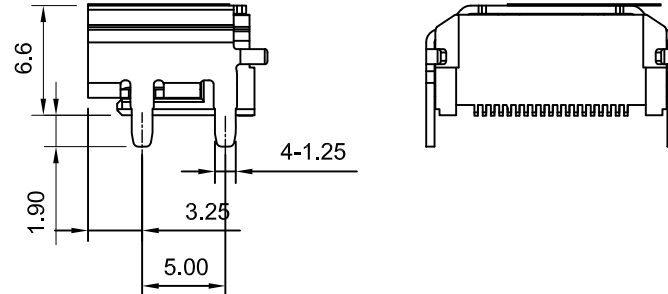
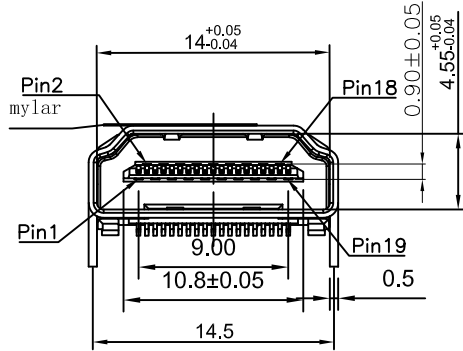


RECOMMENDED PCB LAYOUT (TOP VIEW)
TOLERANCE: ±0.05mm

SPECIFICATIONS:

1. ELECTRICAL CHARACTERISTICS
 - 1-1. CURRENT RATING: 0.5 AMP
 - 1-2. VOLTAGE RATING: 40 V
 - 1-3. CONTACT RESISTANCE: 30MILLIOHMS MAX
 - 1-4. INSULATION RESISTANCE: 100M MIN. @ 500V DC
 - 1-5. DIELECTRIC WITHSTANDING VOLTAGE: 500V AC FOR 1 MINUTE
2. MECHANICAL CHARACTERISTICS:
 - 2-1. INSERTION FORCE : 4.5KGF MAX.
 - 2-2. WITHDRAWING FORCE : 1KGF ~ 4KGF.
3. LIFE TEST: 10000 CYCLES
4. OPERATING TEMPERATURE: -25°C TO +85°C



C	SHELL	1	C2680R-H Ni 50u" T=0.5mm PLATING ALL OVER
B	TERMINAL	19	C2680R-H SEE PART NO.
A	HOUSING	1	LCP E130i UL94V-0 BLACK
NO	PART NAME	QTY	MATERIAL PLATING & COLOR

KEM 奇速科技有限公司 Qi-Speed Technology CO., LTD.				產品名稱: PRODUCT NAME	
				HDMI A TYPE SMT 反向	
單位: mm		繪圖	設計	審核	核准
比例:		DRAWING	DESIGNED	CHECKED BY	APPROVAL BY
公差: .X ±0.35 .XX ±0.25 .XXX ±0.15		JOHNY	JOHNY	LUKE	JAMES
版本	修改事項	修改日期	日期: 2019/7/28	料號: KHAS-31011-C12-1 PART NUMBER	
				圖號: KHAS-31011-C12-1-1 DRAWING NO	
				版本: REV. 0	