

NOTE:

1.MATERIAL:

- 1.1 HOUSING: LCP, UL 94V-0
COLOR: BLACK.
- 1.2 CONTACT: COPPER ALLOY, T=0.20mm.
- 1.3 SHIELD: COPPER ALLOY, T=0.40mm.

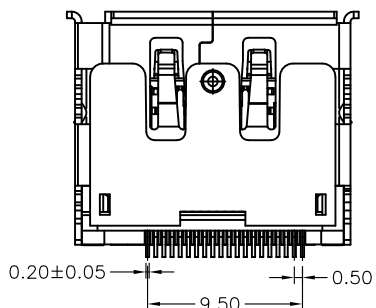
2.FINISH:

- 2.1 CONTACT: GOLD FLASH PLATING IN CONTACT AREA,
100u"MIN MATTE TIN PLATED IN SOLDER AREA,
50u" MIN. NICKEL UNDERPLATED OVERALL.
- 2.2 SHIELD: 50u" MIN. NICKEL UNDERPLATED OVERALL.

3.MECHANICAL CHARACTERISTICS

- 3.1 RATING CURRENT: 0.5A
- 3.2 RATING VOLTAGE: 40V
- 3.3 CONTACT RESISTANCE: 40 mΩ MAX
- 3.4 INSULATION RESISTANCE:
 - a, UNMATED: 100MΩ MIN AT 500 VDC
 - b, MATED: 10M OHMS MIN AT 150 VDC
- 3.5 DIELECTRIC WITHSTANDING VOLTAGE: 500V AC/1MINUTE
- 3.6 DURABILITY: 10000 CYCLES.
- 3.7 OPERATING TEMPERATURE: -20°C-- +85°C
- 3.8 STORAGE TEMPERATURE: -20°C-- +65°C

※ SIGN "⊗" IS IMPORTANCE DIMENSION



KEM 奇速科技有限公司
Qi-Speed Technology CO., LTD.

產品名稱:
PRODUCT NAME
DP 20P 銅壳鍍線 螺孔高8.78 外壳翻邊 四直脚
四反向彈片 腳距6.78 側面帶彈 帶柱子 端子G/F

單位: mm	繪圖	設計	審核	核准	料號:KHD11-131100GF
					比例:
公差: .X ±0.38	JOHNY	JOHNY	LUKE	JAMES	DRAWING NO
.XX ±0.25					版本: REV. 0
.XXX ±0.13					
日期: 2021/6/6	版本	修改事項	修改日期		