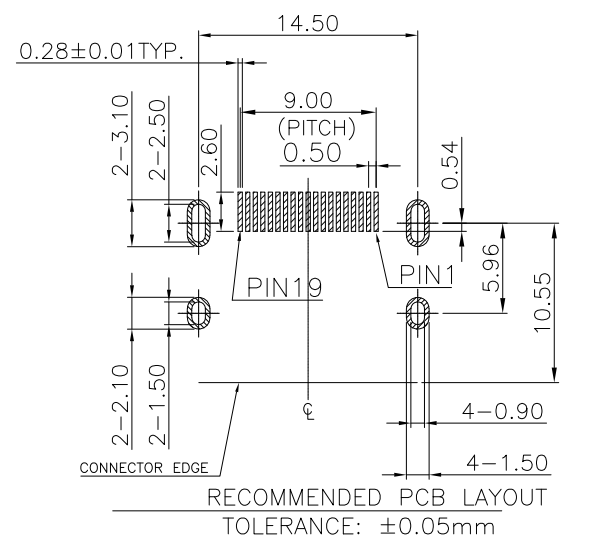
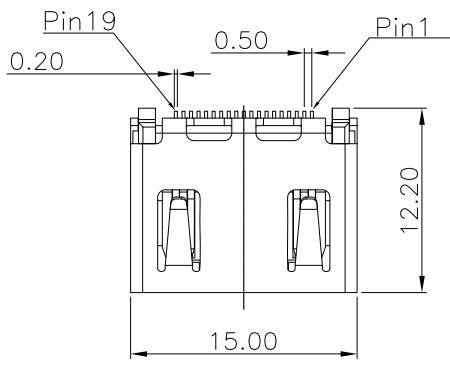


1 2 3 4 5 6 7 8 9

A

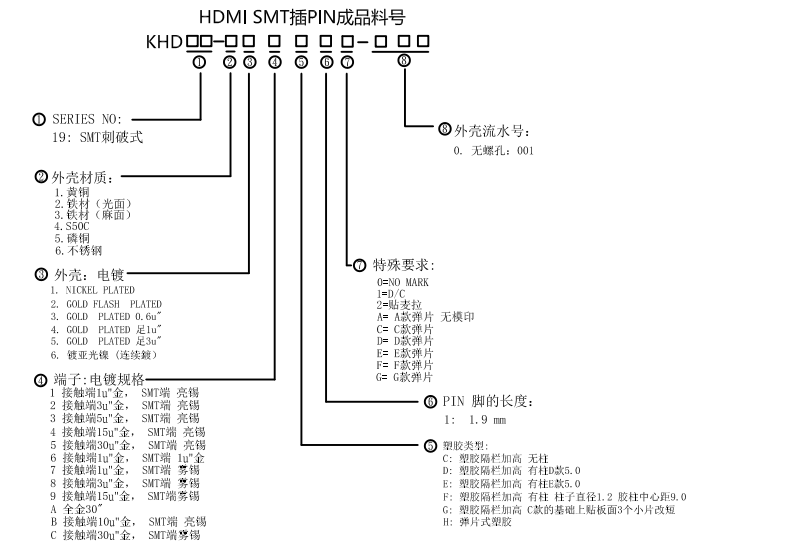
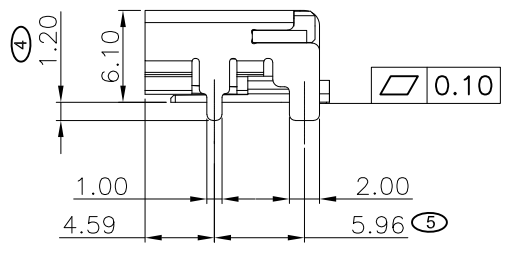
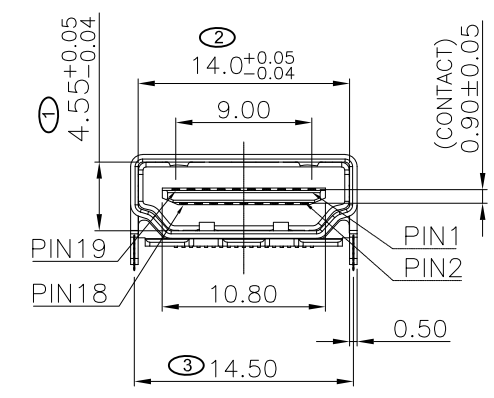


B

- SPECIFICATIONS:**
- ELECTRICAL CHARACTERISTICS**
 - CURRENT RATING: 0.5 AMP
 - VOLTAGE RATING: 40 V
 - CONTACT RESISTANCE: 30MILLIOHMS MAX
 - INSULATION RESISTANCE: 100M MIN.@500V DC
 - DIELECTRIC WITHSTANDING VOLTAGE: 500V AC FOR 1 MINUTE
 - MECHANICAL CHARACTERISTICS:**
 - INSERTION FORCE : 4.5KGF MAX.
 - WITHDRAWING FORCE : 1KGF ~ 4KGF.
 - LIFE TEST: 10000 CYCLES
 - OPERATING TEMPERATURE: -25°C TO +85°C
 - PART NO. DESCRIPTION:

A

C



B

D

* SIGN "X" IS IMPORTANCE DIMENSION

C	SHELL	1	C2680R-H Ni 50u" T=0.5mm PLATING ALL OVER
B	TERMINAL	19	Brass C2680-1/2H(HV120~140),T=0.2mm
A	HOUSING	1	LCP E130i UL94V-0 BLACK
NO	PART NAME	QTY	MATERIAL PLATING & COLOR

C

E

KEM 奇速科技有限公司
Qi-Speed Technology CO., LTD.

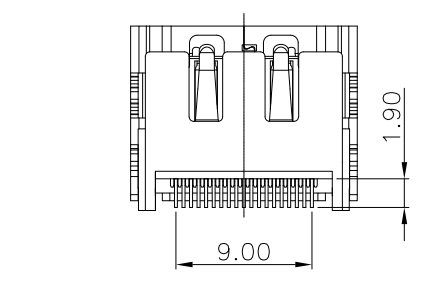
產品名稱:
PRODUCT NAME

HDMI SMT刺破式铜壳镀镍 四直脚四弹片
脚长1.2 脚加宽 无小耳朵 胶无柱 端子G/F

單位: mm	繪圖	設計	審核	核准	料號:KHD19-111C10-001 PART NUMBER
比例:	DRAWING	DESIGNED	CHECKED BY	APPROVAL BY	
公差: .X ±0.38 .XX ±0.25 .XXX ±0.13	JOHNY	JOHNY	LUKE	JAMES	圖號:KHD19-111C10-001-1 DRAWING NO 版本: REV. 0
版本	修改事項	修改日期	日期: 2021/5/18		

D

F



1 2 3 4 5 6 7 8 9