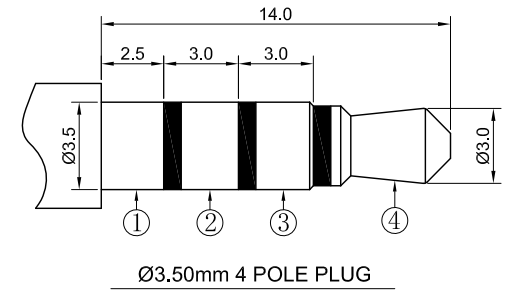
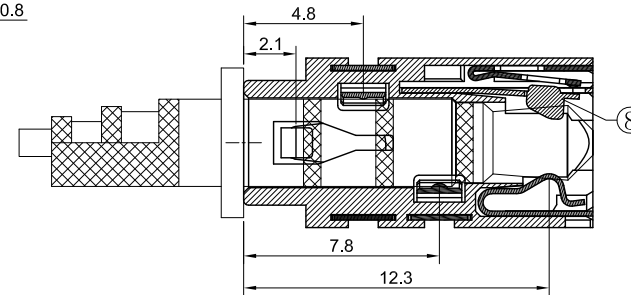
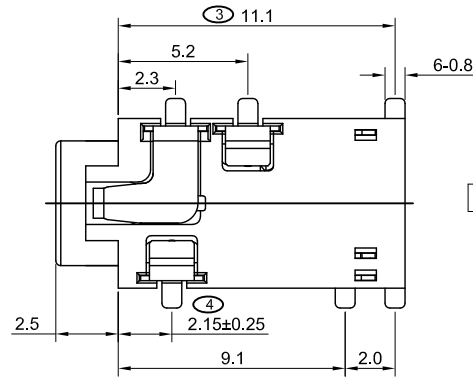
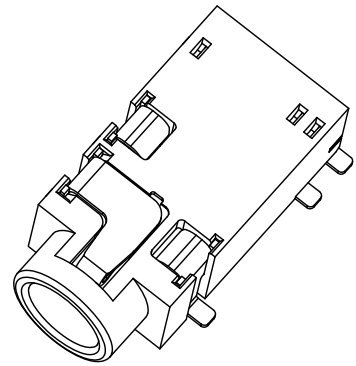


1 2 3 4 5 6 7 8 9

A



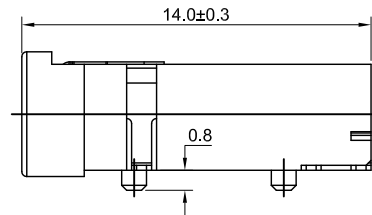
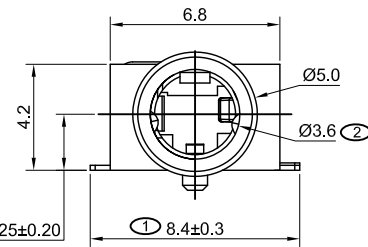
B

C

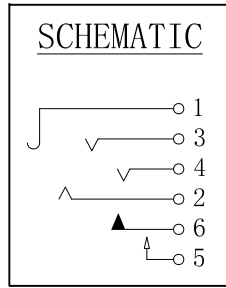
SPECIFICATION

1. Rating : DC 30V 0.5A;
2. Contact resistance: $\leq 0.03 \Omega$;
3. Insulation resistance: $\geq 100M \Omega$ (DC250V);
4. Withstand voltage: 500VAC ;
5. Insertion and extraction force: 3-30N;
6. life test: 5,000 cycles.

* SIGN "⊗" IS IMPORTANCE DIMENSION

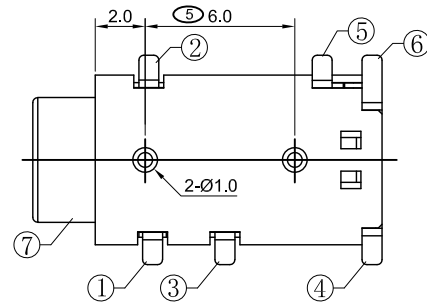
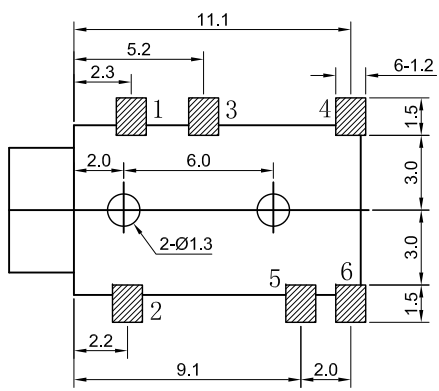


D



8	SKID	1	PA9T	
7	HOUSING	1	PA9T	
6	6# CONTACT FOOT	1	BRONZE	Gold Flash On Contact Area;Matte Sn On Solder Tail; Ni Plated ALL Over.
5	5# CONTACT FOOT	1	BRONZE	
4	4# CONTACT FOOT	1	BRONZE	
3	3# CONTACT FOOT	1	BRONZE	
2	2# CONTACT FOOT	1	BRONZE	
1	1# CONTACT FOOT	1	BRONZE	
NO.	DESCRIPTION	QTY	MATERIAL	PLATING

E



F

KEM 奇速科技有限公司

Qi-Speed Technology CO., LTD.

產品名稱:
PRODUCT NAME
Ø3.5 PHONE JACK

單位 : mm	⊗	繪圖	設計	審核	核准	料號:KPJS-31900-3.5 PART NUMBER	
比例:		DRAWING	DESIGNED	CHECKED BY	APPROVAL BY		圖號:KPJS-31900-3.5-1 DRAWING NO
公差 : X. ±0.38 .X ±0.25 .XX ±0.13		JOHNY	JOHNY	LUKE	JAMES		版本: REV. 0
日期: 2022/11/30							

1 2 3 4 5 6 7 8 9