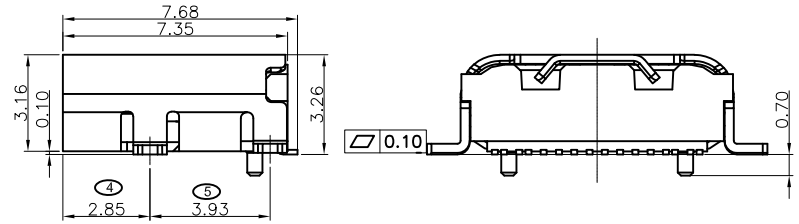
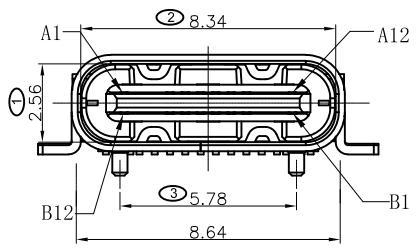


A1	GND	B12	GND
A4	VBUS	B9	VBUS
A5	CC1	B8	SBU2
A6	DP1	B7	DN2
A7	DN1	B6	DP2
A8	SBU1	B5	CC2
A9	VBUS	B4	VBUS
A12	GND	B1	GND
PIN	SIGNAL NAME	PIN	SIGNAL NAME

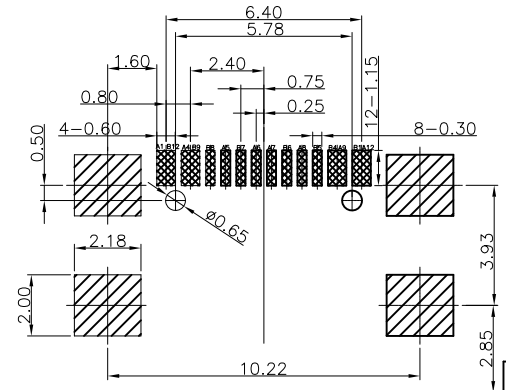
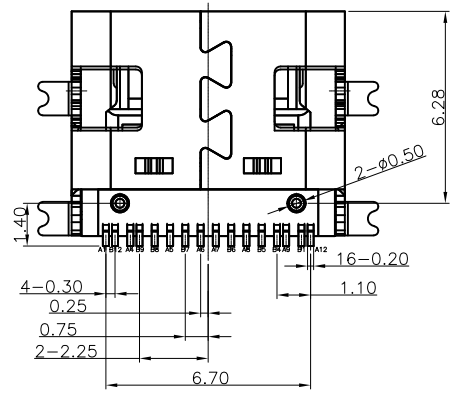


NOTES:

SPECIFICATION:

- CURRENT RATING: 5.0A MAX
- VOLTAGE: 100 VAC
- TEMPERATURE RANGE: -30 °C ~ 85 °C
- CONTACT RESISTANCE: 40 MILLIONHM MAX
- INSULATION RESISTANCE: 100 MEGOHMS MIN.
- INSERTION FORCE : 5N~20N
- UNMATING FORCE: 8N~20N
- DURABILITY: 10,000 CYCLES

* SIGN "⊗" IS IMPORTANCE DIMENSION



NO.	DESCRIPTION	MATERIAL	REMARKS	QTY
6	SHELL	STAINLESS STEEL	NI Plated	1PCS
5	SHIELDING PLATE	STAINLESS STEEL	---	1PCS
4	MD	LCP	BLACK	1PCS
3	CONTACT	COPPER ALLOY	Au/Ni Plated	1SET
2	CONTACT	COPPER ALLOY	Au/Ni Plated	1SET
1	HOUSING	LCP	BLACK	1PCS

RECOMMENDED P.C.B. LAYOUT
TOLERANCE UNSPECIFIED ±0.05mm

KEM 奇速科技有限公司
Qi-Speed Technology CO., LTD.

產品名稱:
PRODUCT NAME
USB CF 16PIN板上四脚平貼有柱

版本	修改事項	修改日期

單位: mm	繪圖	設計	審核	核准
比例:	DRAWING	DESIGNED	CHECKED BY	APPROVAL BY
公差: .X ±0.35 .XX ±0.35 .XXX ±0.25	JOHNY	JOHNY	LUKE	JAMES
日期: 2019/10/28				

料號: KUSBC051-F001
PART NUMBER
圖號: KUSBC051-F001-1
DRAWING NO
版本: REV. 0